



# Ranger® 4000

Compact Bench Scale



## *The Best Value for Durable Industrial Weighing*

The multipurpose Ranger 4000 is the right tool for industrial weighing applications in which value is important but quality, durability, and functionality cannot be compromised. Portable with die-cast metal housing and a rechargeable battery, this scale is equipped with seven application modes that can provide results for many industrial weighing and measurement needs.

### *Standard Features Include:*

- **Full Metal Housing Offers Strength and Protection and Maximizes Product Life**—Sturdy metal housing and slip-resistant rubber feet provide protection and stability necessary for tough industrial weighing, while extending the product's usable life.
- **A Bright White LED Display Makes the Scale Usable Even in Dim Conditions**—The largest, white LED display on any scale in its class, combined with checkweighing LEDs and audible indicators, make Ranger 4000 highly functional in loud and dim industrial settings.
- **User-Friendly Software Makes Ranger 4000 Very Easy to Operate**—Spend time on your work, not on mastering the technicalities of the scale. SmarText™ software makes scale setup and use very simple.
- **Extremely Fast One Second Stabilization Time Increases Efficiency**—With a stabilization time of just one second, Ranger 4000 works efficiently to enhance productivity levels.

# Ranger® 4000 Compact Bench Scale

## Metal Housing Ensures Protection

With die-cast sealed metal housing and slip-resistant rubber feet, Ranger 4000 was built to maximize product life and withstand heavy duty use and ensure accurate operation in industrial environments.

## White LED Display Illuminates Results

Ranger 4000's bright white 1.5" LED display is 57% larger than displays on other scales in its class. Coupled with checkweighing LEDs and audible indicators, Ranger 4000 was built to stand up to the challenges often faced in industrial weighing.

## Intuitive Software Supports Simple Navigation

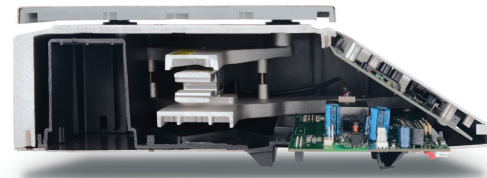
Powered by SmarText™ software, Ranger 4000's simple navigation works in tandem with the scale's dedicated keys to create a user experience that requires minimal effort.

## Rapid Stabilization

Ranger 4000 produces accurate results within one second. The rapid stabilization virtually eliminates your wait time and allows you to move at a pace determined by you and not your weighing equipment. Work efficiently and with confidence to ensure accurate results. Maximize your throughput without sacrificing accuracy with the Ranger 4000.

## Application Modes

- **Weighing**—Determine the weight of items in the selected unit of measure.
- **Percent Weighing**—Measure the weight of a sample displayed as a percentage of a pre-established Reference Weight.
- **Parts Counting**—Count samples of uniform weight.
- **Check Weighing/Percent/Counting**—Compare the weight/percent/count of a sample against target limits. Choose from Checkweight, Checkpercent or Checkcount
- **Accumulation**—Totalization of weight, count or percent. Calculates total accumulated weight, count or percent of separate items.
- **Dynamic Weighing**—Weigh an unstable load. Scale takes an average of weights over a time period.
- **Display Hold**—Manually or automatically holds the last stable weight on the balance display. Activated by setting time interval of Dynamic Weighing to zero.



## Standard Connectivity with Flexible Options

Standard RS232 with optional Ethernet, second RS232 and USB offers additional data transfer capabilities and allows connection to multiple peripherals.

Connect a large, high capacity platform through the 2<sup>nd</sup> platform option, utilizing the precision and advanced features of Ranger 4000 for high capacity weighing.

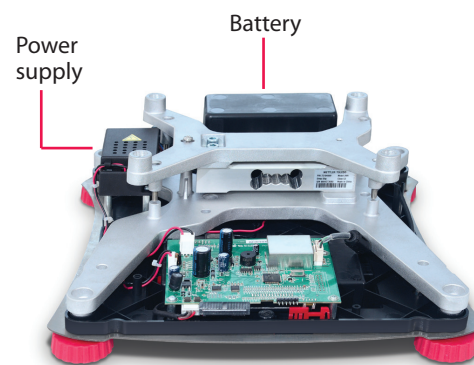
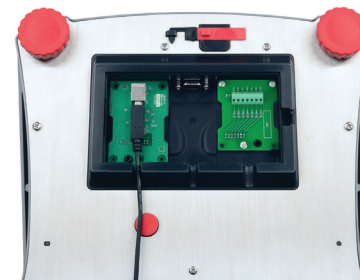
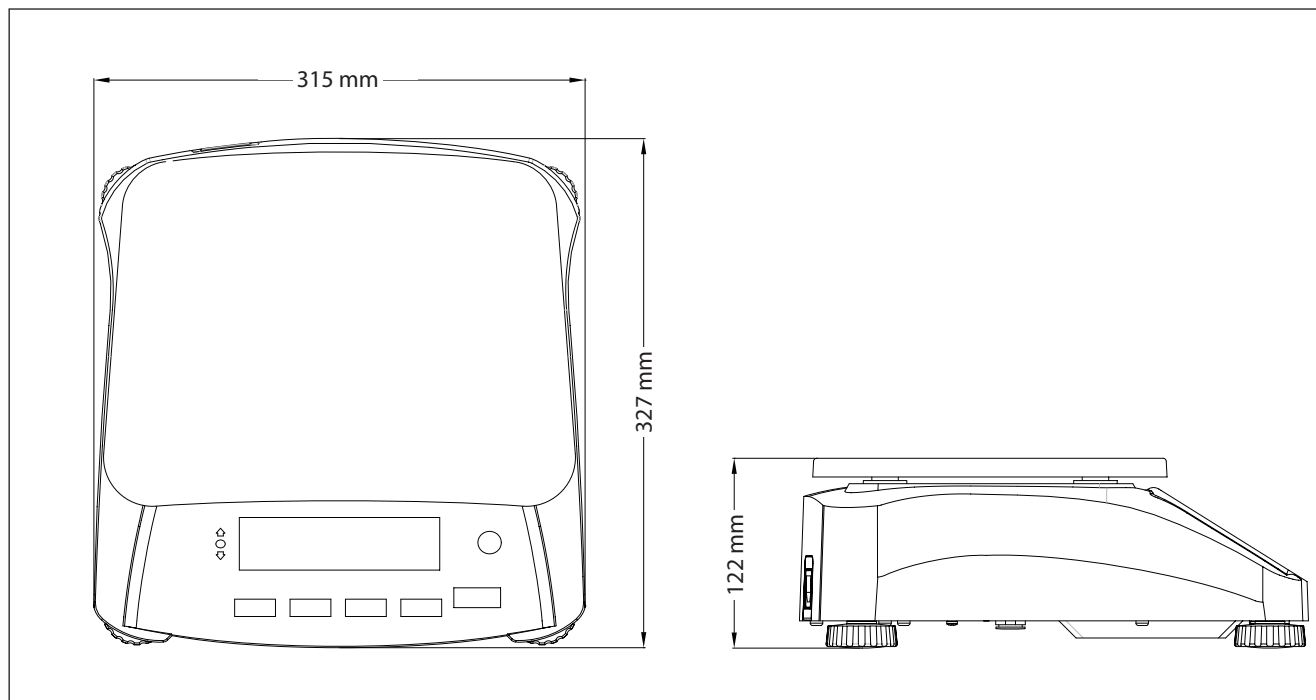
## Internal Power Supply and Rechargeable Battery

Say goodbye to being restricted to working only near power outlets! Ranger 4000 is equipped with a rechargeable lead acid battery that can provide power for more than 100 hours! It can also be powered through the easy connect power cord that takes up minimal space and automatically adapts to different power line voltages and frequencies, eliminating disruptions in workflow due to power outages and shortages.

## Metrology

The Ranger 4000 meets the Class III requirements of OIML R76 and EN 45501.

## Outline Dimensions



# Ranger<sup>®</sup> 4000 Compact Bench Scale

Models	R41ME3	R41ME6	R41ME15	R41ME30
Capacity × Readability	3 × 0.0001 kg 3000 × 0.1 g	6 × 0.0002 kg 6000 × 0.2 g	15 × 0.0005 kg 15000 × 0.5 g	30 × 0.001 kg 30000 × 1 g
Maximum Displayed Resolution	1:30000	1:30000	1:30000	1:30000
Certified Models	R41ME3-M	R41ME6-M	R41ME15-M	R41ME30-M
Certified Capacity × Readability	3 × 0.001 kg 3000 × 1 g	6 × 0.002 kg 6000 × 2 g	15 × 0.005 kg 15000 × 5g	30 × 0.01 kg 30000 × 10 g
Certified/Approved Resolution	1:3000	1:3000	1:3000	1:3000
Construction	Stainless steel platform, Die cast aluminum housing			
Weighing Units	kg, g, lb, oz, lb:oz			
Application Modes	Weighing, Percent Weighing, Parts Counting, Checkweighing, Checkcounting, Checkpercent, Accumulation, Dynamic Weighing/Display Hold			
Display	1.5-inch / 40mm high White LED display, 6-digit, 7-segment			
Checkweighing Indicators	3 LED (yellow, green, red) with configurable operation and alert beeper			
Keyboard	5 mechanical keys			
Zero Range	4% or 20% of full scale capacity			
Tare Range	Full capacity by subtraction			
Stabilization Time	1 second			
Auto-Zero Tracking	Off, 0.5, 1 or 3 divisions			
Safe Overload Capacity	150% of capacity			
Power	100-240 VAC / 50-60 Hz internal universal power supply, internal rechargeable lead acid battery			
Battery Life	100 hours continuous use with 12 hour recharge time			
Calibration	External, with user-selectable calibration weight			
Interface	Built-in RS232, optional 2 <sup>nd</sup> platform, 2 <sup>nd</sup> RS232, USB, Ethernet			
Operating Temperature Range	-10 °C to 40 °C			
Platform Size (W × L)	300 mm × 225 mm			
Scale Dimensions (W × L × H)	315 × 327 × 122 mm			
Shipping Dimensions (W × L × H)	397 × 447 × 195 mm			
Net Weight	5.9 kg			
Shipping Weight	7.2 kg			

## Other Standard Features and Equipment

Stainless steel platform, integral weigh-below hook, sealed front panel, menu lock switch, up front level indicator, adjustable leveling feet, selectable environmental and auto-print settings, stability indicator, overload and underload indicators, low battery indicator, auto shut-off, auto tare

## Compliance

- **Metrology:** EN 45501 (T8252); OIML R76 (R76/2006-NL1-15.21)
- **Product Safety:** IEC/EN 60950-1
- **Electromagnetic Compatibility:** IEC/EN 61326-1
- **Other:** WEEE/ROHS

## Accessories

2 <sup>nd</sup> Platform, Kit .....	30037446
Ethernet, Kit .....	30037447
Second RS232 Kit .....	30037448
USB Kit .....	30037449
In Use Cover .....	30240697
SF40A Impact Printer with Cable .....	30064202
T4 Label Printer .....	30057588

OHAUS Europe GmbH  
Im Langacher 44  
8606 Greifensee  
Switzerland

e-mail: [ssc@ohaus.com](mailto:ssc@ohaus.com)  
Tel: 0041 22 567 53 19  
e-mail: [tsc@ohaus.com](mailto:tsc@ohaus.com)  
Tel: 0041 22 567 53 20

[www.ohaus.com](http://www.ohaus.com)

OHAUS Corporation is an ISO  
9001:2008 manufacturer

ISO 9001:2008  
Registered Quality  
Management System

CH16B054

