



Sartorius Miras Multi-Functional Platform Scale



Miras: New Sartorius industrial scale with multiple functions

RS-232 port for
computer or
printer connection

Large 25 mm LCD
with backlighting.
Easy to read even
from a distance
and under poor
lighting conditions.



Rugged, resilient ABS
plastic housing

Zero

Tare



Gross | Net

Function key
 - Counting
 - Checkweighing
 - Unit conversion

Print |
 Enter key

Practical and cost effective

Sartorius Miras is a new generation industrial bench and platform scale. We have implemented an array of features to meet the majority of user requirements in industrial sectors. The weighing capacities range from 6 kg to 300 kg with 3 platform sizes.

Miras platforms feature a rugged construction and overload protection for industrial applications.

The following built-in applications can be conveniently selected at the simple touch of a key: counting, checkweighing, mass unit conversion and toggling between gross | net values. The scales can be operated using an AC or a DC power source.

Features

- Large 25 mm LCD with backlighting
- Weighing capacities: 6 kg to 300 kg
- Display resolution up to 15,000 d
- Selectable weight units: kg, g, lb, oz, t, pcs
- Checkweighing function
- Simple counting function
- Gross | Net function
- 3 sizes of platform to meet most industrial needs
- Auto power off function
- AC 100-240V AC, 50 | 60 Hz or DC power: 6 1.5 V D-size dry batteries
- All platform structures with heavy-duty design for durability and ruggedness
- CE compliance
- Platform: mild steel painted
 Load plate: stainless steel
 Indicator: ABS plastic housing

Miras: The right choice for every weighing task



Built-in checkweighing HI|OK|LO comparator function

When the user-defined upper limit is exceeded, "HI" is displayed. When the weight value is below the lower limit, "LO" is shown. In between, "OK" is displayed for goods with an acceptable quality level.



Net | Total formulation

With Miras indicators, users can subtract the weight by pressing the tare button repeatedly, up to the scale's maximum capacity. This function is ideal for weighing multiple ingredients for formulation purposes.



Easy-to-use tare function with gross | net weight display
Place a container on the platform and press the tare key. The tare is automatically stored in the memory and the net weight is displayed. The user can easily toggle the display between gross and net weight by pressing the Gross | Net key.

Simple counting function

Select the number of samples from the menu, place the exact number of components on the platform, and press Enter. Then place the components in bulk on the scale; the total number of pieces is shown instantly on the display.



Sartorius IW2 platform scale

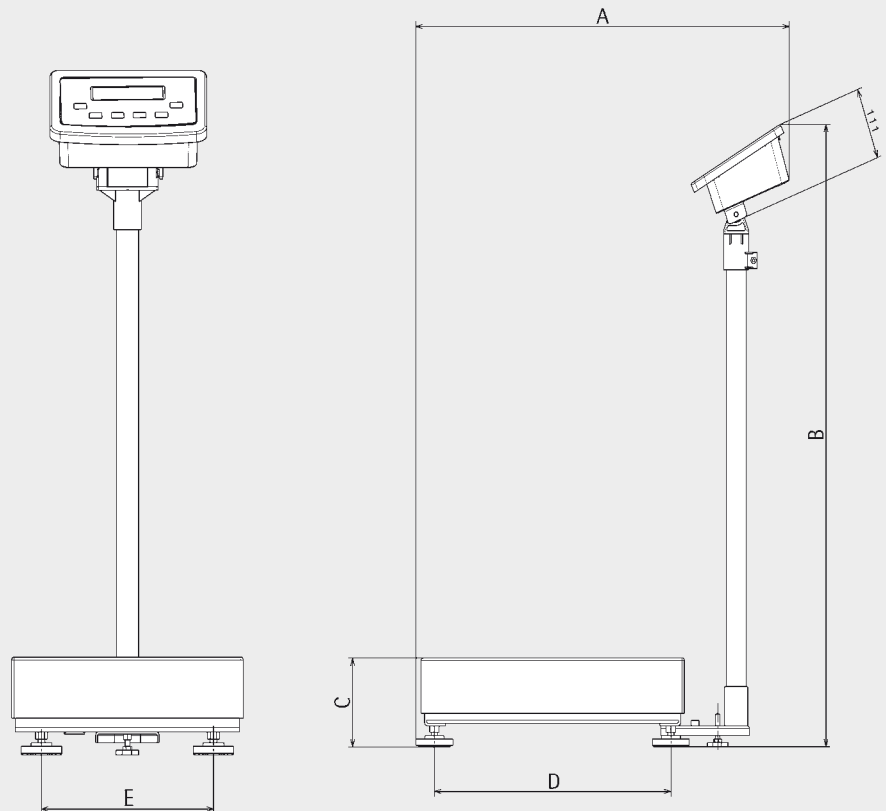
Model Overview

Order Number	Weighing capacity in kg	Readability in g	Platform dimension in mm
IW2P1E-6ED-L	6	0.5	400 × 300
IW2P1E-15ED-L	15	1	400 × 300
IW2P1E-30ED-L	30	2	400 × 300
IW2P1E-60ED-L	60	5	400 × 300
IW2P1E-60FE-L	60	5	500 × 400
IW2P1E-150FE-L	150	10	500 × 400
IW2P1E-300GF-L	300	20	650 × 500

Order number description

IW2P1 E - □□□□□ - L

Display unit Power cable - Weighing - Resolution
 for Europe for Europe capacity in kg & 15,000 d
 platform code:
 individual choices

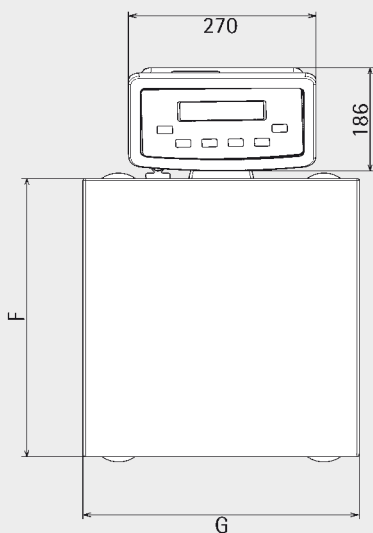


Specifications

Display:	LCD, 6 digits, character height: 25 mm, 7-segment, with backlight
Maximum readability:	15,000 d
Functions:	1) Zeroing, 2) taring, 3) counting, 4) checkweighing, 5) net gross weight, 6) auto power off
Line power supply:	Built-in 95-260V/AC
DC power operation:	Optional using 6 "D" size 1.5V dry batteries
Temperature range:	-10 to +40°C RH 85% non-condensing
Load plate:	stainless steel
Weighing system:	Using C3 load cell(s) with IP65 rating
Compliance:	CE mark

Accessories

- RS-232 interface (cable 2 m with DB9 pins for PC connection)
- RS-232 interface (cable 2 m with DB25 pins for YDP10 printer)
- Indicator stand (1.2 m height, painted steel)
- Indicator wall-mounting bracket
- Printer YDP10-OCE



Size Dimensions mm	A	B	C	D	E	F	G
400 × 300	601	705	128	352	256	400	300
500 × 400	710	955	133	449	297	500	400
650 × 500	860	955	156	599	397	650	500

Sales and Service Contacts

For further contacts, visit www.sartorius-mechatronics.com

Europe

Germany

Sartorius AG
Weender Landstrasse 94-108
37075 Goettingen

Phone +49.551.308.0
Fax +49.551.308.3289

info.mechatronics@sartorius.com
www.sartorius-mechatronics.com

Sartorius Mechatronics
C&D GmbH & Co. KG.
Am Gut Wolf 11
52070 Aachen

Phone +49.241.1827.0
Fax +49.241.1827.213

Sartorius Mechatronics T&H GmbH
Meiendorfer Strasse 205
22145 Hamburg

Phone +49.40.67960.303
Fax +49.40.67960.383

France & Suisse Romande

Sartorius Mechatronics
France SAS
4, rue Emile Baudot
91127 Palaiseau Cedex

Phone +33 (0) 1 69 19 21 00
Fax +33 (0) 1 69 20 09 22

service.client@sartorius.com
www.sartorius-mechatronics.fr

Belgium

Sartorius Mechatronics
Belgium N.V.
Leuvensesteenweg, 248/B
1800 Vilvoorde

Phone +32.2.756.06.71
Fax +32.2.253.45.95

info.belgium@sartorius.com
www.sartorius.be

Hungary

Sartorius Mechatronics Hungária Kft.
Kagyló u. 5.
2092 Budakeszi

Phone +3623.457.227, 457.228, 457.148
Fax +3623.457.147

mechatronika@sartorius.hu
www.sartorius-mechatronics.com

Ireland

Sartorius Mechatronics UK Limited
Unit 41, The Business Centre
Stadium Business Park
Ballycoolin Road
Dublin 11

Phone +353-(0)1-8089050
Fax +353-(0)1-8089388

info.ireland@sartorius.com
www.sartorius-mechatronics.ie

Italy

Sartorius Mechatronics Italy S.r.l.
Uffici di Milano
Viale A. Casati, 4
20053 Muggiò (Milan)

Phone +39.039.46591
Fax +39.039.465988

info@sartorius.it
www.sartorius-mechatronics.it

Netherlands

Sartorius Mechatronics
Netherlands B.V.
Edisonbaan 24
3439 MN Nieuwegein

Phone +31.30.6053001
Fax +31.30.6052917

weegtechnik.nl@sartorius.com

Poland

Sartorius Mechatronics
Poland Sp. z o.o.
ul. Wrzesinska 70
62-025 Kostrzyn

Phone +48.61.6473830
Fax +48.61.6473839

info.pl@sartorius.com
www.sartorius-mechatronics.pl

Spain

Sartorius Mechatronics Spain S.A.U.
Offices in Madrid:
c/ Isabel Colbrand, 10-12, of. 70
28050 Madrid

Phone +34.91.358.60.94
Fax +34.91.358.84.85

Sartorius Mechatronics Spain S.A.U.
Offices in Barcelona:
C/Marcus Porcius, 1 (Edificio BCIN)
Poligon Les Guixeres s/n
08915 - Badalona
Barcelona - Spain

Phone +34.902.123.367
Fax +34.91.358.96.23

spain.weighing@sartorius.com
www.sartorius-mechatronics.es

Switzerland

Sartorius Mechatronics Switzerland AG
Ringstrasse 24a
8317 Tagelswangen (ZH)

Phone +41.44.746.50.00
Fax +41.44.746.50.50

mechatronics.switzerland@sartorius.com

U.K.

Sartorius Mechatronics UK Ltd.
Longmead Business Centre
Blenheim Road, Epsom
Surrey. KT19 9QQ

Phone +44.1372.737102
Fax +44.1372.729927

uk.customerservice@sartorius.com
www.sartorius-mechatronics.co.uk

America

Argentina

Sartorius Argentina S.A.
Int. A. Ávalos 4251
B1605ECS Munro
Buenos Aires

Phone +54.11.4721.0505
Fax +54.11.4762.2333

sartorius@sartorius.com.ar

Brazil

Sartorius do Brasil Ltda.
Av. D. Pedro I, 241
Vila Pires - Santo André
São Paulo
09110-001

Canada

Sartorius Mechatronics Canada
2179 Dunwin Drive #4
Mississauga, ON L5L 1X2

Phone +1.905.569.7977
Toll-Free +1.800.668.4234
Fax +1.905.569.7021

sales.canada@sartorius.com

Mexico

Sartorius de México S.A. de C.V.
Circuito Circunvalación Poniente
No. 149
53100, Satélite Estado de México,
México

Phone +5255.5562.1102
Fax +5255.5562.2942

sartorius@sartomex.com.mx

USA

Sartorius Mechatronics
Corporation
5 Orville Drive
Bohemia, NY 11716

Phone +1.631.254.4249
Toll-free +1.800.635.2906

Fax +1.631.254.4253
wt.sales@sartorius.com

Asia | Pacific

China

Sartorius Scientific
Instruments (Beijing) Co., Ltd.
Konggang Industrial Zone B
No. 33 Yu'an Road
101300 Beijing, Shunyi District

Phone +86.10.8042.6300
Fax +86.10.8042.6486

ssil@sartorius.com
www.sartorius.com.cn

Hong Kong

Sartorius Mechatronics
Hong Kong Ltd.
Unit 1012, Lu Plaza
2 Wing Yip Street
Kwong Tong
Kowloon, Hong Kong

Phone +852.2774.2678
Fax +852.2766.3526

enquiry.hongkong@sartorius.com
www.sartorius-mechatronics.com.hk

India

Sartorius Mechatronics India Pvt Ltd.
69/2 & 69/3, Jakkasandra,
Kunigal Road, Nelamangala Tq
Bangalore-562 123

Phone +91.80.4350.5250/51/52

mechatronics-india@sartorius.com

Indonesia

PT. Sartorius Mechatronics Indonesia
Prisma Kedoya Plaza Blok C no. 5
Jl. Raya Perjuangan - Kebon Jeruk,
Jakarta Barat 11530, Indonesia

Phone: +62.21 5365.1248
Fax: +62.21 5365.1246

enquiry.indonesia@sartorius.com
www.sartorius-mechatronics.co.id

Japan

Sartorius Mechatronics Japan K.K.
8-11, Kita-Shinagawa 1-chome
Shinagawa-ku
Tokyo 140-0001

Phone +81.3.3740.5408
Fax +81.3.3740.5406

info@sartorius.co.jp
www.sartorius.co.jp

Philippines

Sartorius Mechatronics Philippines,
Incorporated
Unit 20-A The World Centre Building
330 Senator Gil Puyat Avenue Makati
City Philippines 1209

Phone +632.8640929
Fax +632.8640932

enquiry.philippines@sartorius.com
www.sartorius-mechatronics.com.ph

Singapore

Sartorius Mechatronics
Singapore Pte. Ltd.
10 Science Park Road
#02-25, The Alpha
Singapore Science Park II
Singapore 117684

Phone +65.6872.3966
Fax +65.6778.2494

enquiry.singapore@sartorius.com

South Korea

Sartorius Mechatronics
Korea Ltd.
Yangjae B/D 4, 5F
209-3, Yangjae-Dong, Seocho-Ku
137-893 Seoul, Korea

Phone +82.2.575.6945
Fax +82.2.575.6949

enquiry.korea@sartorius.com
www.sartorius.co.kr

Thailand

Sartorius Mechatronics
Thailand Co. Ltd.
No. 129 Rama IX Road
Huaykwang
Bangkok 10310

Phone +66 2643.8361
Fax +66 2643.8367

enquiry.thailand@sartorius.com
www.sartorius-mechatronics.co.th

Australia

Sartorius Mechatronics
Australia Pty Ltd.
Unit 5, 7-11 Rodeo Drive
Dandenong South Vic 3175

Phone +61.3.8762.1800
Fax +61.3.8762.1828

Info.Australia@Sartorius-Stedim.com